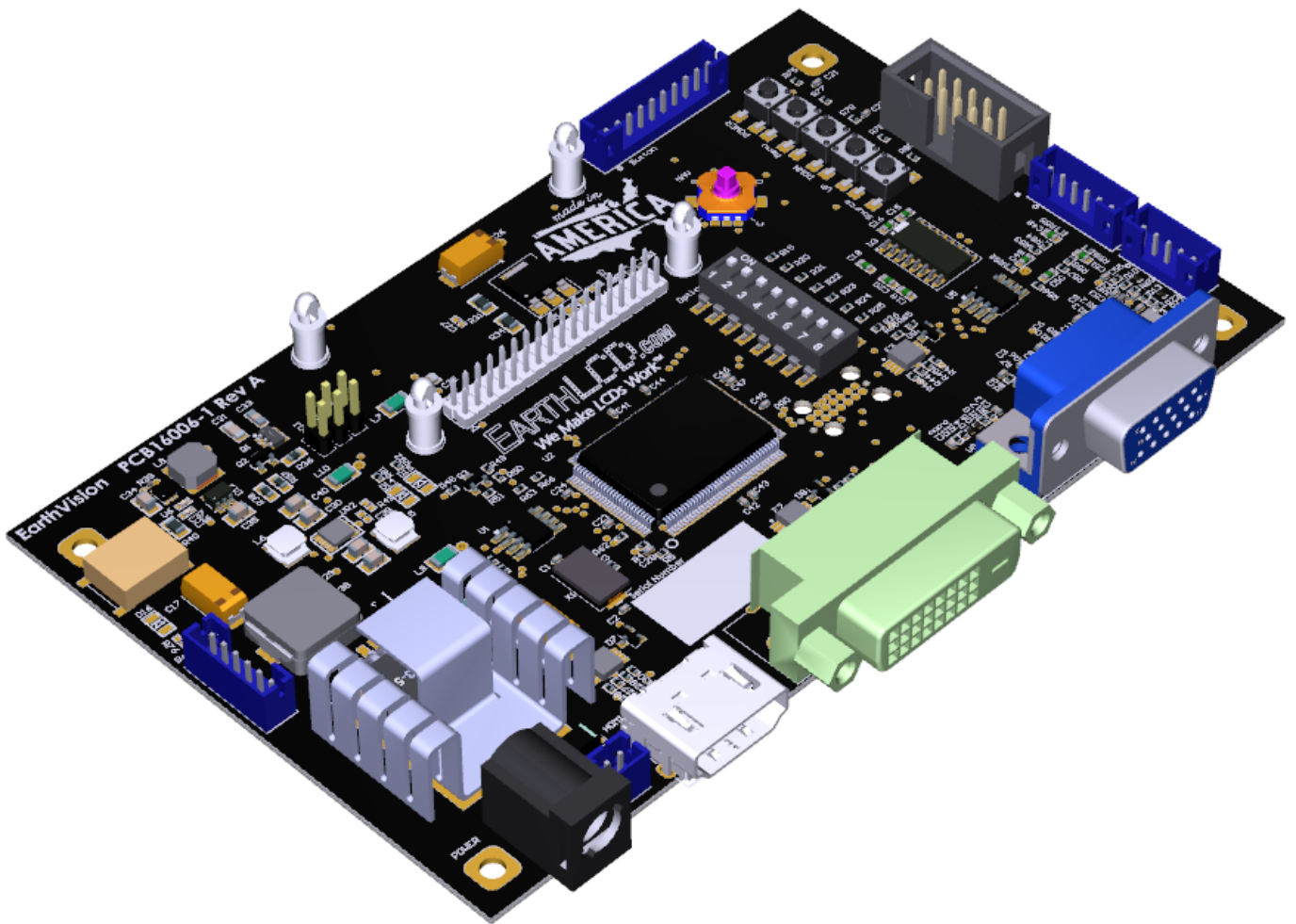




# EarthVision-X1

## Spec Sheet



## EarthVision-X1 Features :

Up to HD Resolution 1920x1080 LVDS Panels.

Built in LED Backlight Driver plus header for external driver CCFL ect.

Will scale other resolutions to native panel resolution up or down.

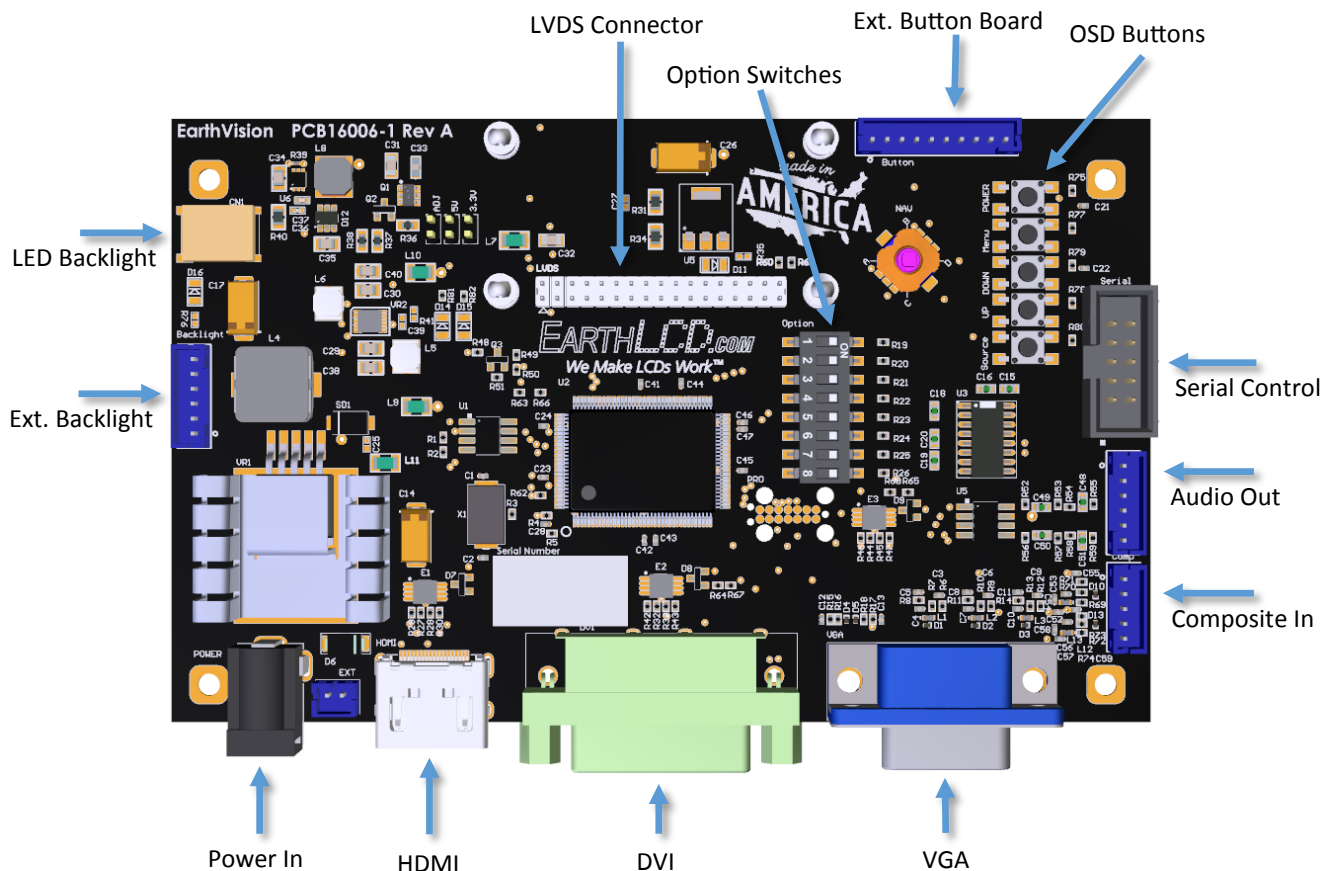
Wide power input range 6-40VDC Supply current TBD.

Standard Video inputs HDMI DVI VGA 2xComposite via board header .

Full OSD control via on board buttons or external button board .

Full control of board features via serial (RS232) control.

On board DIP switch to select options like disable OSD Buttons ect.



### Composite In Header

Pin	Symbol	Function
1	ACC	Apply Voltage to pin will switch to AV1
2	AV1	Composite In 1
3	GND	Ground
4	AV2	Composite In 2
5	GND	Ground

### External Backlight

Pin	Symbol	Function
1	EXT_PWR	Power In Voltage
2	EXT_PWR	Power In Voltage
3	PWM	PWM Brightness
4		
5	GND	Ground
6	GND	Ground

### LED Backlight

Pin	Symbol	Function
1	Cathode	LED Backlight Cathode
2	Anode	LED Backlight Anode

## External Button Board

Pin	Symbol	Function
1	VCC_3V3	3.3V Power
2	GND	Ground
3	IR	IR Input
4	POWER	Power Button
5	MENU	Menu Button
6	+++	Up Button
7	---	Down Button
8	SOURCE	Source Button
9	LED-G	LED Green
10	LED-R	LED Red

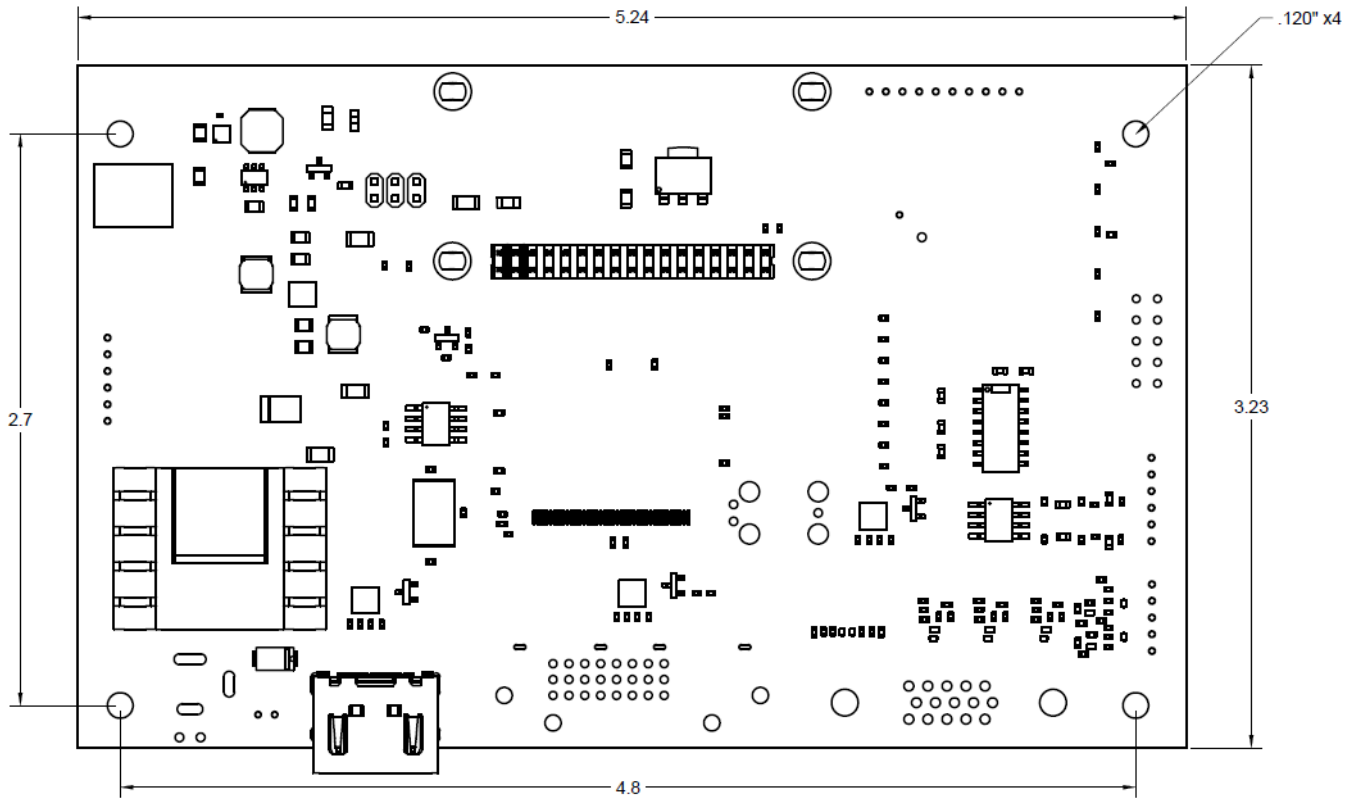
## Audio Out

Pin	Symbol	Function
1	VCC_5V	
2	Left Audio	
3	GND	
4	GND	
5	Right Audio	
6	GND	

## Serial Out

Pin	Symbol	Function
1		
2	RXD	Serial Receive RS-232 Levels
3	TXD	Serial Transmit RS-232 Levels
4		
5	GND	
6		
7		
8		
9		
10		

## Board Dimensions



Option SW	1	2	3	4	5	6	7	8
AV1	Off	Off	On					
AV2	Off	On	Off					
VGA	Off	On	On					
DVI	On	Off	Off					
HDMI	On	Off	On					
Disable Source Change				On				
Disable Menu OSD					On			
VGA 640x480						Off	Off	Off
WGA 800x480						Off	Off	On
WXGA 1024x600						Off	On	Off
XGA 1024x768						Off	On	On
Panel 4						On	Off	Off
Panel 5						On	Off	On
Panel 6						On	On	Off
Panel 7						On	On	On